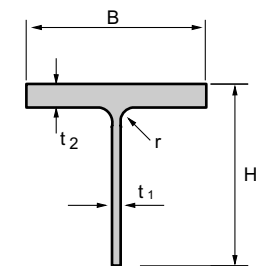
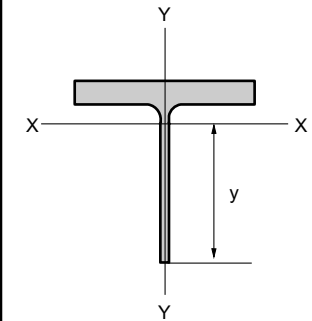
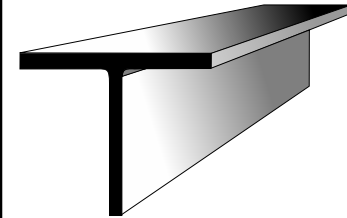




METRIC SIZE

SECTIONAL INDEX	STANDARD SECTIONAL DIMENSION					SECTIONAL AREA A	UNIT WEIGHT kg/m	INFORMATIVE REFERENCE						
	DEPTH OF SECTION H	WIDTH OF SECTION B	THICKNESS		CORNER RADIUS r			CENTER OF GRAVITY y	GEOMETRICAL MOMENT OF INERTIA		RADIUS OF GYRATION OF AREA		MODULUS OF SECTION	
			Web t ₁	Flange t ₂					I _x cm ⁴	I _y cm ⁴	i _x cm	i _y cm	Z _x cm ³	Z _y cm ³
T 50 x 100	50.00	100	6	8	10	10.95	8.60	40.0	16	67	1.20	2.47	4.0	13.4
T 62.5 x 125	62.50	125	6.5	9	10	15.16	11.90	50.6	35	147	1.51	3.11	6.9	23.5
T 75 x 75	75.00	75	5	7	8	8.93	7.00	57.0	42	25	2.18	1.67	7.4	6.6
T 75 x 150	75.00	150	7	10	11	20.07	15.75	61.3	66	282	1.81	3.75	10.8	37.6
T 100 x 100	100.00	100	5.5	8	11	13.58	10.65	71.7	114	67	2.90	2.22	14.8	13.4
T 99 x 100	99.00	100	4.5	7	11	11.59	9.10	78.1	94	58	2.84	2.25	12.0	11.7
T 87.5 x 175	87.50	175	7.5	11	12	25.61	20.10	72.0	114	492	2.11	4.38	15.8	56.2
T 100 x 200	100.00	200	8	12	13	31.77	24.95	82.7	184	801	2.41	5.02	22.2	80.1
T 125 x 125	125.00	125	6	9	12	18.83	14.80	97.2	248	147	3.63	2.79	25.5	23.5
T 124 x 124	124.00	124	5	8	12	16.34	12.85	97.7	207	127	3.56	2.79	21.2	20.5
T 125 x 250	125.00	250	9	14	16	46.09	36.20	104.2	411	1,825	2.98	6.29	39.4	146.0
T 150 x 150	150.00	150	6.5	9	13	23.39	18.35	115.9	463	254	4.45	3.29	39.9	33.8
T 149 x 149	149.00	149	5.5	8	13	20.40	16.00	116.4	393	221	4.39	3.29	33.7	29.6
T 150 x 300	150.00	300	10	15	18	59.90	47.00	125.3	796	3,378	3.64	7.51	63.5	225.2
T 175 x 175	175.00	175	7	11	14	31.57	24.80	137.5	814	492	5.08	3.95	59.2	56.3
T 173 x 174	173.00	174	6	9	14	26.34	20.70	136.0	678	396	5.07	3.88	49.9	45.5
T 175 x 350	175.00	350	12	19	20	86.95	68.85	146.4	1,515	6,794	4.17	8.84	103.5	388.2
T 200 x 200	200.00	200	8	13	16	42.06	33.00	157.7	1,395	868	5.76	4.54	88.5	86.8
T 198 x 199	198.00	199	7	11	16	36.08	28.30	156.3	1,193	723	5.75	4.48	76.3	72.7
T 200 x 400	200.00	400	13	21	22	109.35	86.00	167.9	2,470	11,207	4.75	10.12	147.1	560.4
T 225 x 200	225.00	200	9	14	18	48.38	38.00	173.5	2,155	936	6.67	4.40	124.2	93.6
T 250 x 200	250.00	200	10	16	20	57.10	44.80	190.5	3,210	1,071	7.50	4.33	168.5	107.1
T 300 x 200	300.00	200	11	17	22	67.20	53.00	221.6	5,786	1,139	9.29	4.12	261.9	113.9
T 294 x 300	294.00	300	12	20	28	96.25	75.50	233.2	6,695	4,509	8.34	6.84	295.3	300.6
T 350 x 300	350.00	300	13	24	28	117.75	92.50	274.5	12,015	5,412	10.10	6.78	447.3	360.8
T 400 x 300	400.00	300	14	26	28	133.70	105.00	308.3	18,787	5,866	11.85	6.62	609.5	391.1



HEAD OFFICE & FACTORY
Jl. Imam Bonjol 4, Warung Bongkok,
Sukadana, Cikarang Barat,
Bekasi 17520, West Java, INDONESIA
Sales Department
Phone DID : (62-21) 898 38 161 - 167
Phone Flexy :

(021) 7085 3164 - 165

(021) 7085 3169

Fax : (62-21) 8910 - 7711,

(62-21) 8900-555 / 976 / 977

e-mail : pjl01@grdsteel.com

pjl02@grdsteel.com

NOTE : - Material specification refer to Wide Flange Shape.
- Tolerance H = ± 2 mm.
- T 350 x 300, T 400 x 300 and T 200 x 400 are import product.
- Other sizes which are not mentioned in table above will be supplied as welded condition